

Another  
Taiwanese  
Work of  
Art

# DIE ERSTE INDUSTRY CO.,LTD

P.O.BOX 41-12 TAICHUNG TAIWAN R.O.C

TEL : 886-4-22310059 (5 LINES)

FAX : 886-4-22360236

## MODEL NO: GD-2500PCT

PRESSURE SEAL FORGED STEEL CLASS 2500

LIFT TYPE CHECK VALVE

BOLTED CAP,

MANUFACTURE AND DISGN: API 602

OR ANSI B16.34

CONNECTRION: THREADED ENDS,

SOCKET ENDS,

THREAD TYPE(NPT, BSPT, DIN ENDS)

INSPECTION AND TEST: API 598

WORKING TEMPERATURE:

5. 4~822. 6° F (A105)

-14. 4~957. 6° F (S. S. )

HYDROSTATIC TEST: SHELL: 9375PSI

SEAT: 6875PSI

AIR TEST: SEAT 60~100PSI

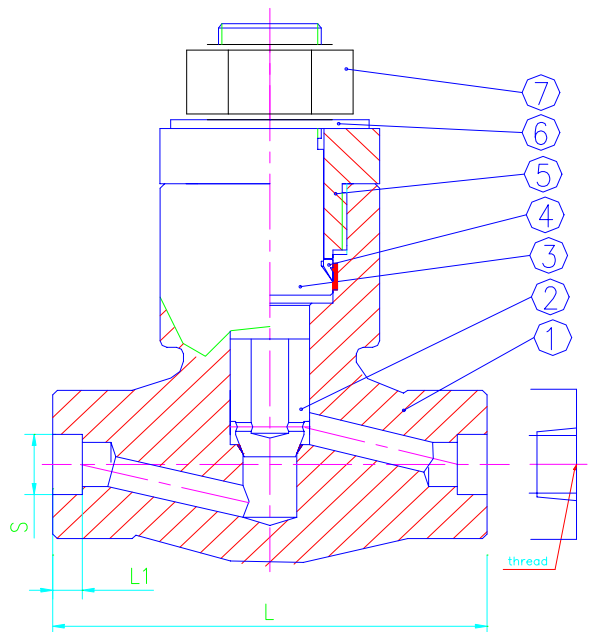
MATERIAL: A105, F304, F316, F11, F22, F304L, F316L



## PARTS AND MATERIAL:

| NO. | PARTS NAME    | MATERIALS    |              |           |
|-----|---------------|--------------|--------------|-----------|
| 1   | BODY          | ASTM A105    | ASTM F304    | ASTM F316 |
| 2   | DISC          | ASTM F6      | ASTM F304    | ASTM F316 |
| 3   | SEALING SEAT  | ASTM F6      | ASTM F304    | ASTM F316 |
| 4   | SEALING RING  | SS304        |              | SS316     |
| 5   | RETAINING NUT | ASTM A105    | ASTM F304    | ASTM F316 |
| 6   | O-RING        | CARBON STEEL |              |           |
| 7   | P.S.LOCK NUT  | ASTM A194-2H | ASTM A194 B8 |           |

OTHER MATERIALS ARE AVAILABLE UPON REQUEST.



## DIMENSIONS LIST:

UNIT: MM

| DN | SIZ    | S(THREAD) | S(SOCKET) | L1   | L   |
|----|--------|-----------|-----------|------|-----|
| 15 | 1/2"   | 1/2"      | 21.8      | 9.6  | 186 |
| 20 | 3/4"   | 3/4"      | 27.1      | 12.7 | 186 |
| 25 | 1"     | 1"        | 33.8      | 12.7 | 186 |
| 32 | 1-1/4" | 1-1/4"    | 42.6      | 12.7 | 232 |
| 40 | 1-1/2" | 1-1/2"    | 48.7      | 12.7 | 232 |
| 50 | 2"     | 2"        | 61.1      | 15.9 | 279 |

We hereby reserve the rights of any alternative dimension that would help to improve our valve's quality and working efficiency